

BHARAT BLACK GOLD

P I P E

UNIQUE SPIRAL-WOUND TECHNOLOGY FROM GERMANY



The large diameter high density polyethylene profile wall pipe for sewer, drainage, water supply, mining, industrial effluent, chemical storage & treatment applications.



KUNSTSTOFFE
Industries Limited

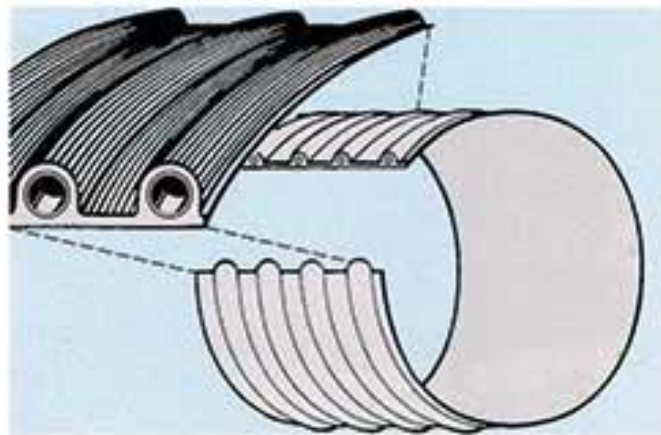
INDIAN ENTERPRISE MATCHES GERMAN EXPERTISE

Unravelling the range of revolutionary large diameter solid and profile walled HDPE Pipes and Tanks in India with technical Know-how from Germany

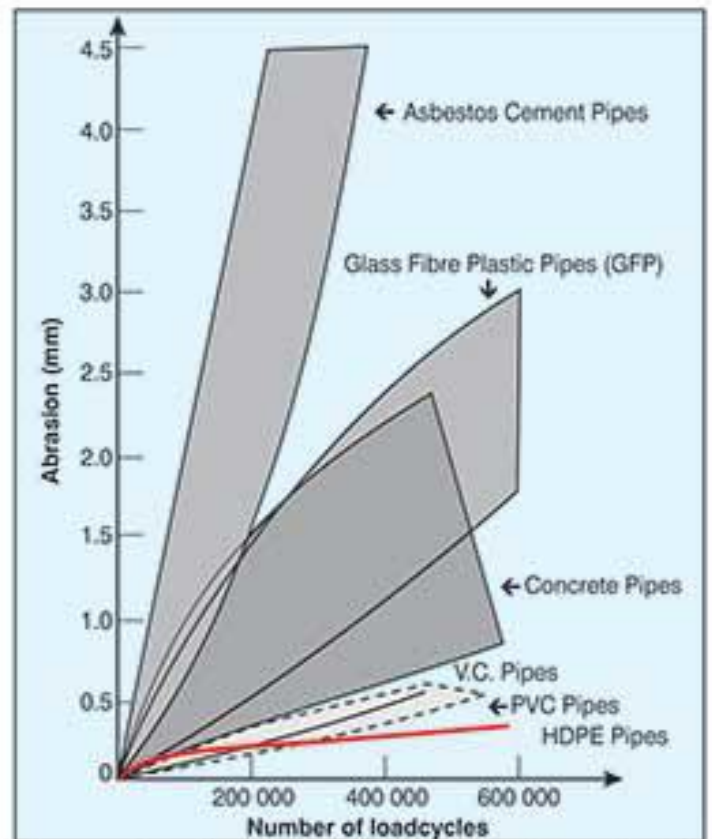
Kunststoffe Industries Ltd. are pioneers in India in spirally wound profile wall pipe technology, to manufacture pipes from 300 mm to 3600 mm ID, Chemical Vessels and Equipments and Anti-Corrosion Ducting. The plant has been imported from Germany on Turnkey basis.

The Bharat Black Gold pipe system is economically competitive and has numerous advantages over the conventional pipe systems. These are :

- Outstanding Resistance to Corrosion and Aggressive Chemical Environments.
- Excellent Resistance to Heavy Loads.
- Lightweight.
- Long length of 6 mtrs.
- Exceptional Durability - Longlife.
- Excellent Flow Characteristics (C = 150).
- Absolutely Tight / Leakproof.



Cross Section of a typical profile



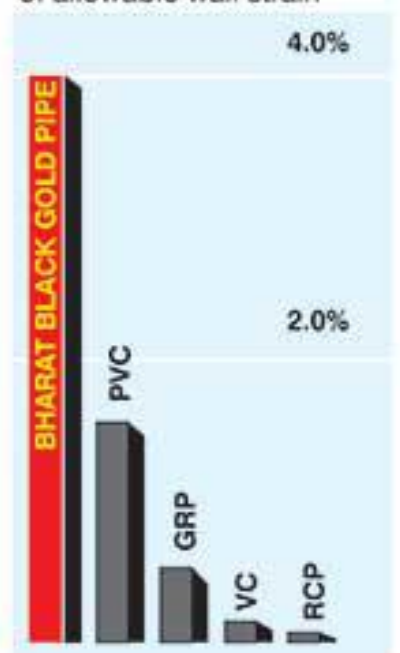
Average abrasion values for different pipe materials

Physical Properties of HDPE Pipe Grade Material

PROPERTY	TYPICAL VALUE	UNIT	TEST METHOD
Density	0.96	g/cm ³	ASTM D1505
Tensile Strength at yield	24	MPa	ASTM D638
Elongation at Break	800	%	ASTM D638
Tensile Modulus of Elasticity	750	MPa	ASTM D638
Flexural Modulus(Initial)	970	MPa	ASTM D790
Notch Impact Strength	36	Kg. m/m ²	ASTM D256
Durometer Hardness	63	Shore D	ASTM D2240
Coefficient of Linear Expansion	1.38 x 10 ⁻⁴	°C	ASTM D696
Heat Distortion Temperature	78	°C	ASTM D648
Environmental Stress Cracking Resistance	250	hours	ASTM D1693
Brittleness Temperature	<-100	°C	ASTM D746
Crystalline Melting Point	130	°C	DSC

Bharat Black Gold HDPE / PP pipes are flexible and they have a much higher tolerance to wall strain than rigid materials and consequently can withstand relatively large deformations without failure.

Representative comparison of allowable wall strain



INDIAN ENTERPRISE MATCHES GERMAN EXPERTISE

Unravelling the range of revolutionary large diameter solid and profile walled HDPE Pipes and Tanks in India
with technical Know-how from Germany

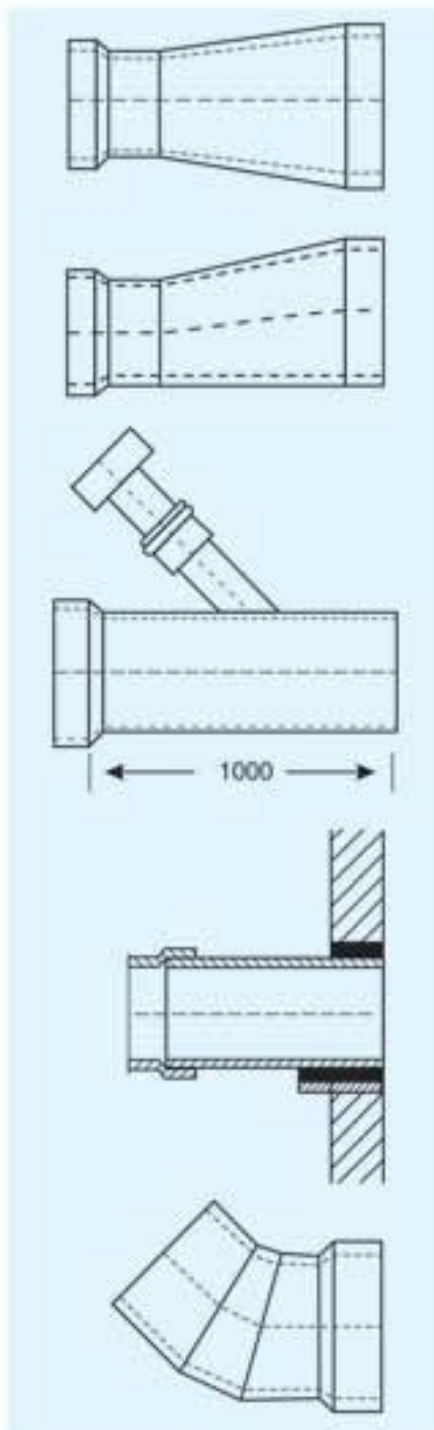
MANUFACTURE :

Bharat Black Gold pipe is manufactured from HDPE / PP as per DIN, ASTM, BS Specifications using spirally wound technology. The innovative profile wall construction uses a geometrically efficient hollow rib section to maximize strength. A wide range of profiles and combination of profile / solid walls are available for almost all requirements.

By employing Bharat Black Gold pipe you can put an end to Corrosion, Leakages and Road Traffic Disruption.

APPLICATIONS

- Gravity Trunk Sewer Mains
- Effluent Treatment & Disposal
- City Sewage Collection & Disposal
- Desalination Schemes
- Manholes
- Ocean Outfalls
- Water Lines
- Sumps, Chemical Vessels and Equipments, Scrubbers etc;
- Sewer Relining
- Storm Water Drainage
- Speciality Fabrications



BHARAT BLACK GOLD PIPE

Joining Methods



B. FUSION FILLET WELD JOINT



C. BUTT WELD JOINT



D. BOLTED FLANGE JOINT





KUNSTSTOFFE

Industries Limited

Works :

Kadaiya, Airport Road, Nani Daman,
DAMAN (U.T.) - 396 210.
Tel. (0260) 2220458/0766/1458/1858
Fax : +91-260 2220758
E-mail : kildaman4@gmail.com

Mumbai Office :

128, Kiran, Bhaudaji Road,
Matunga (East), Mumbai-400019
Tel.: (022) 24082689/2690
Fax : +91-22 24044853
E-mail: kunststoffe@vsnl.net